

BATHROOM planning guide

CLIENT INFORMATION

Name _____ Date _____
Address _____ Phone (h) _____
_____ Phone (c) _____
_____ Email _____



PROJECT INFORMATION

Type of Project: New Construction _____ Remodeling _____ Addition _____
Bathroom Type: Master Bath _____ Hall Bath _____ Guest/Child Bath _____ Other _____

What are you looking to change about your current bathroom design?

How much have you budgeted for the project? _____

Do you have any special requirements to be considered in the design?

Approximately when would you like your project to start _____ & finish by _____

CABINETY DETAILS

Style: Traditional _____ Contemporary _____ Modern _____ Transitional _____ French Country _____

Wood: Cherry _____ Maple _____ Hickory _____ Oak _____ Laminate _____ Other _____

Finish: Light _____ Medium _____ Dark _____ White _____

merillat - woodharbor - ultracraft - greenfield - green forest

PLANNING details

INFORMATION ABOUT YOUR CURRENT BATHROOM

The approximate age of your home is _____ years.

Interior walls: Drywall _____ Plaster _____ Block _____ Brick _____

Bathroom Floor – underneath finished floor: Concrete _____ Wood _____ Other _____

Condition of: _____

Bathroom Floor – existing finished floor: _____ Keep _____ Remove _____

Existing Lighting: Very Good _____ Adequate _____ Dark _____

Is existing Electrical adequate: Yes _____ No _____ Don't Know _____

Is existing Plumbing adequate: Yes _____ No _____ Don't Know _____

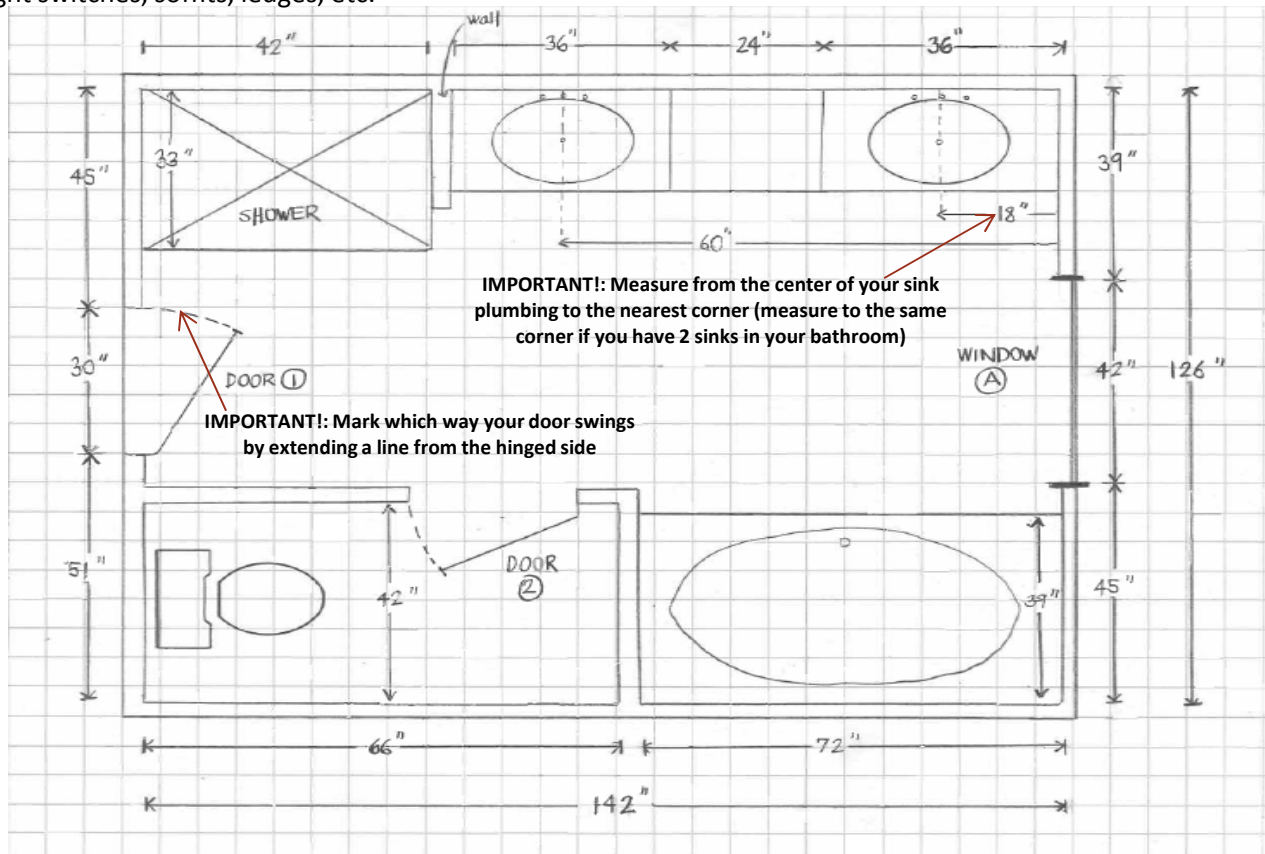
Ceiling Height from Floor: _____ ft. _____ in

		KEEP Yes/No	REPLACE SIZE HxWxD	ROUGH SIZE HxWxD	BRAND
BATHROOM SELECTIONS	Vanity Cabinet				
	Vanity Top				
	Mirror				
	Lighting				
	Faucet				
	Towel Bar				
	Paper Holder				
	Robe Hook				
	Towel Ring				
	Toilet				
	Tub/Shower				
	Tile				
		ADD Yes/No	APPROX SIZE HxWxD	BRAND	
OPTIONS	Folding Shower Seat				
	Heated Floors				
	Towel Warmers				
	Vanity Hamper/Storage				

how to measure for your **NEW BATHROOM**

While Reico can come and measure for you if you choose, measuring your bathroom on your own doesn't have to be difficult. All you need is a tape measure, pencil and the provided floor plan grid. Use the sample grid below as a guide and create a sketch of the room.

- Start in one corner of the room, select a wall and measure the distance in inches of every item on that wall from the corner. Write all measurements on your sketch.
- Go to the next corner and locate every item on the next wall in relationship to that corner.
- Continue to measure all around the room, until everything is located, measured & marked on your sketch
- Jot down the overall lengths of walls, height of room and distance of every item from the floor – your outlets, light switches, soffits, ledges, etc.



Measure carefully and double check all measurements. Measure from outside of casing to outside of case. Mark direction of door swing(s) on provided floor plan grid. Mark exact location of sink, drains, gas lines, electrical outlets & switches on the provided floor plan grid.

WINDOWS				DOORS			
A	B	C	D	1	2	3	4
Width				Width			
Window Height				Floor to Top of Moulding			
Floor to Sill Height				Window Casing Width			
Total Height				Door Casing Width			

BATHROOM floor plan

